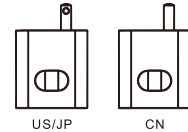




IP20 Class II (VI)

**Product Features**

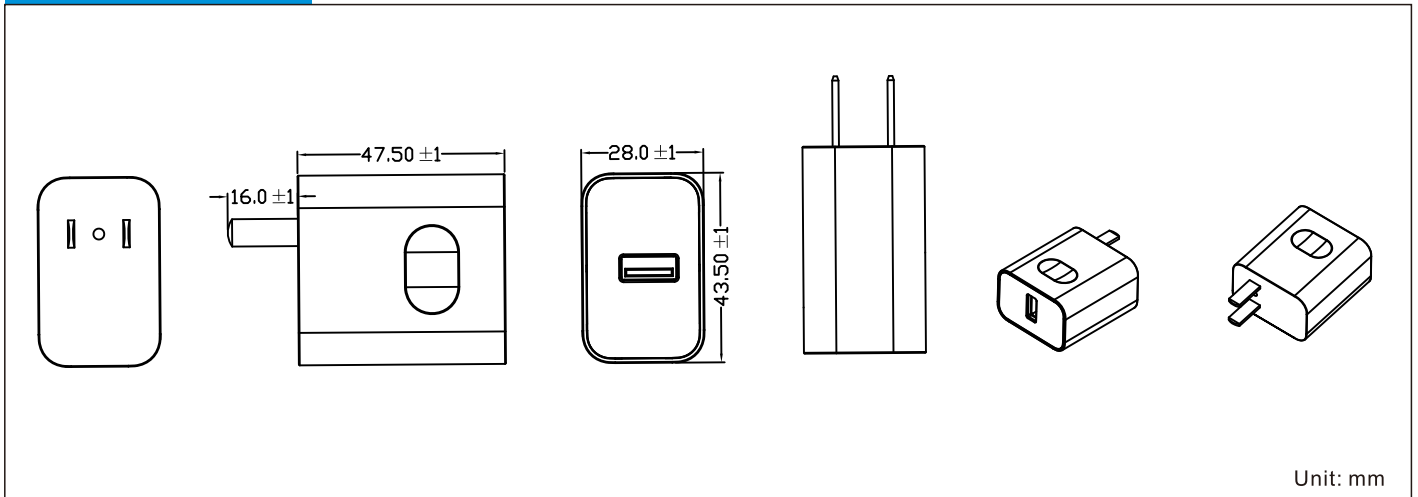
- Meets medical & I.T.E. safety
- 2 MOPP input to output isolation
- Touch current  $\leq 10\mu\text{A}$
- Energy efficiency level VI
- $\leq 0.075\text{W}$  standby power
- Up to 5,000m operating altitude



★★★★★

**Models & Parameters**

Model Number	Voltage (*1)	Current	Rated Power	Ripple & Noise (max)	Voltage Tolerance	Line & Load Regulation	Efficiency (Average)	Start Up Delay
UES10LZ-050200SPA	5.0	0.01-2.00	10.00W	200mVpk-pk	$\pm 5\%$	Line: $\pm 2\%$ Load: $\pm 5\%$	79%	$\leq 3\text{s}$

**Mechanical Details**


Unit: mm

**Notes**

(\*1) Other options are available, please contact our sales representative for details.

**Input**

Input Voltage Range	90-264VAC
Frequency Range	47-63Hz
Input Current	0.5A at 100VAC
Touch Leakage Current (max)	≤ 10µA at 264VAC

**Environmental**

Operating Temperature	0°C to 45°C
Storage Temperature	-20°C to 60°C
Operating Humidity	10% to 90% RH, non-condensing
Storage Humidity	5% to 90% RH
Operating Altitude	5,000m

**General**

Dimensions	43.5(L) 28.0(W) 47.5(H)mm
Weight	70g
MTBF	>100,000hrs MIL-HDBK-217 at 25°C

**Protection**

Overload	110-200% rated output power, auto recovery
Over Voltage	110-150% rated output voltage input to reset
Short Circuit	Trip and restart (hiccup mode)

**Safety Approvals**

Safety Agency / Mark	Medical	ITE
UL	ANSI/AAMI ES60601-1 CAN/CSA C22.2 NO. 60601-1	-
CCC	-	GB4943.1

**EMC**

Emission	Medical	ITE
Conduction	IEC/EN60601-1-2, CISPR 11	EN55032, CISPR 32
Radiation	IEC/EN60601-1-2, CISPR 11	EN55032, CISPR 32
Harmonic Currents	EN61000-3-2, Class A	EN61000-3-2, Class A
Voltage Flicker	EN61000-3-3	EN61000-3-3
Immunity	IEC/EN60601-1-2	EN55035, CISPR 35
ESD	IEC61000-4-2	±15KV air, ±8KV contact
Radiated Immunity	IEC61000-4-3	10V/m, 3V/m 80MHz - 2.7GMHz
EFT/Burst	IEC61000-4-4	±2KV on AC port, ±1KV on signal ports
Surge	IEC61000-4-5	±1KV line to line (different mode)
Conducted Immunity	IEC61000-4-6	3Vrms, 6Vrms (0.15MHz-80MHz)
Magnetic Field	IEC61000-4-8	30 A/m
Dips & Interruptions	IEC61000-4-11	0%, 70%, 0% of UT

**Others**

Dielectric Withstand Voltage	5,656VDC input to output
Insulation Resistance	10M Ohms, 500VDC input to output